

FastFoto Scanner

Scanner can support photos up to size 8x10.



How to Use

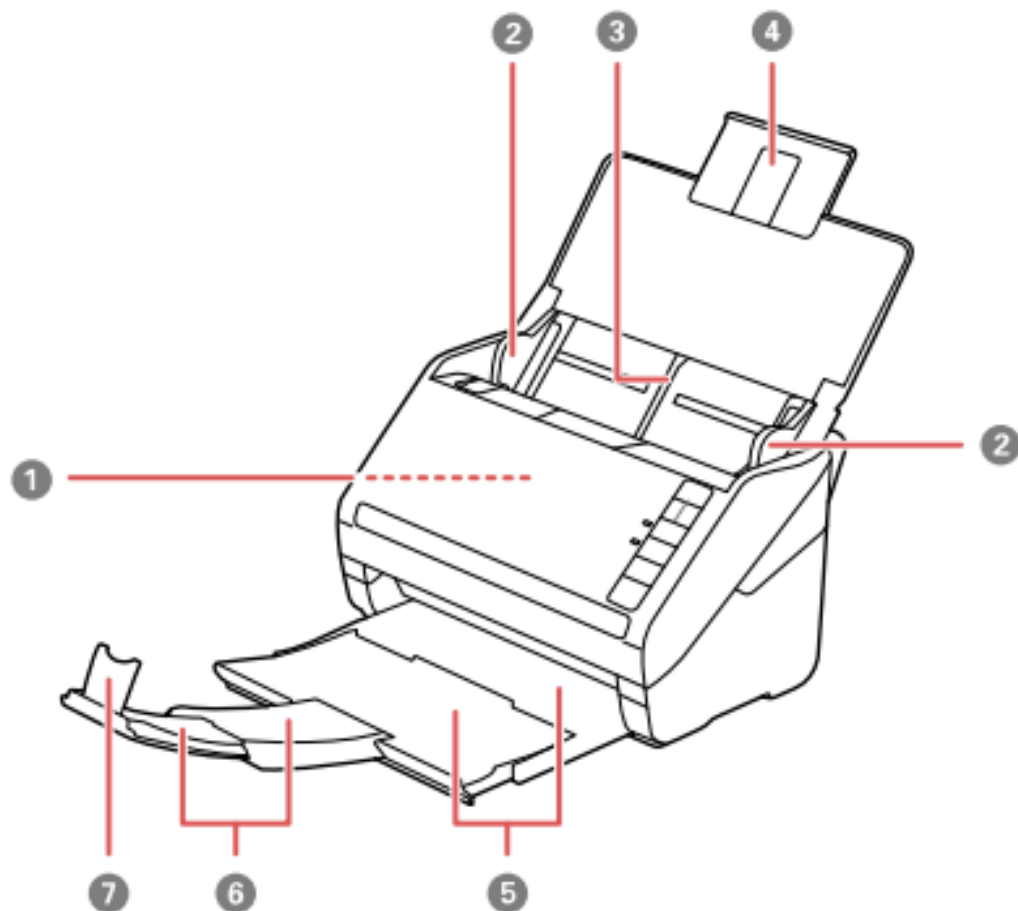
1. Open scanner cover and extend input & output trays
2. Load photos in the input tray **Face-Up**, and slide down until they meet resistance.
3. Slide the edge guides against the edge of the photos until snug.
4. Press the Scan button to feed photos through the scanner.
5. Photos up to 5x7 can scan 30 photos at one time.
6. Photos at 8x10 can scan 10 photos at one time.



Brighton
District
Library

100 Library Drive, Brighton, MI 48116
810-229-6571 • brightonlibrary.info

Scanner Parts



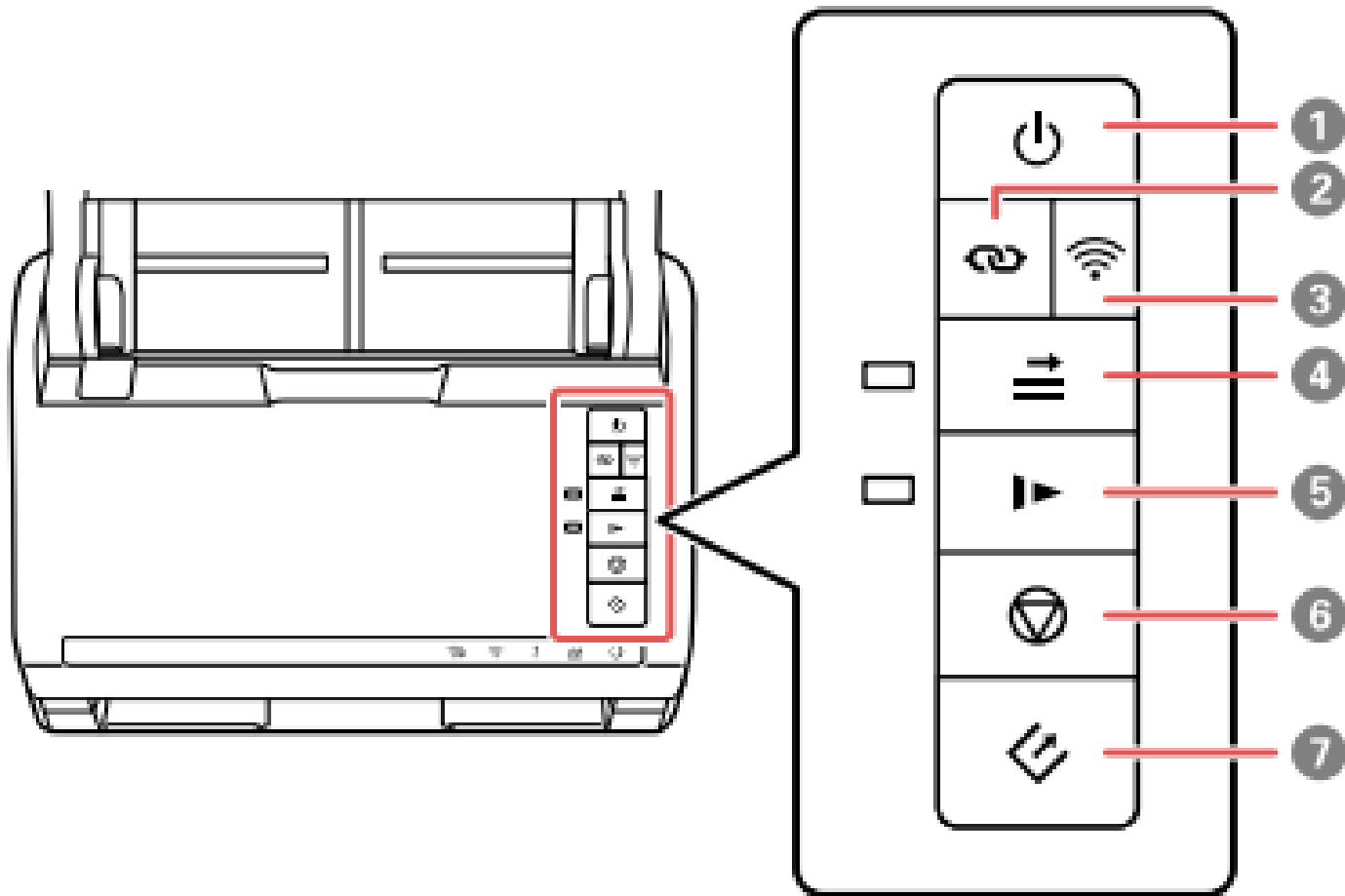
1. Automatic Document Feeder
2. Edge Guides
3. Input Tray
4. Input Tray Extension
5. Output Tray
6. Output Tray Extensions
7. Stopper



Brighton
District
Library

100 Library Drive, Brighton, MI 48116
810-229-6571 • brightonlibrary.info

Buttons



1. Power Button
2. Wi-Fi Connect Button
3. Wi-Fi Button
4. Double Feed Detection Skip Button
5. Slow Mode Button
6. Stop Button
7. Scan Button



Brighton
District
Library

100 Library Drive, Brighton, MI 48116
810-229-6571 • brightonlibrary.info

PC Instructions

- On the PC, click the Epson FastFoto icon
- Insert your USB Drive into the PC
- Use the file folder icon to select your USB Drive as the → place you want your scanned photos to save to
- When photos are loaded, click the **'Start Scanning'** button
- When the batch of photos is finished scanning a pop-up box will appear with two options
 - **Done Scanning**
 - **Ready to Scan next batch of Photos**
- If done scanning, click done & remove your USB drive from the PC
- If you're scanning another batch of photos, load them & then click **'Ready to Scan'** to begin the next batch

